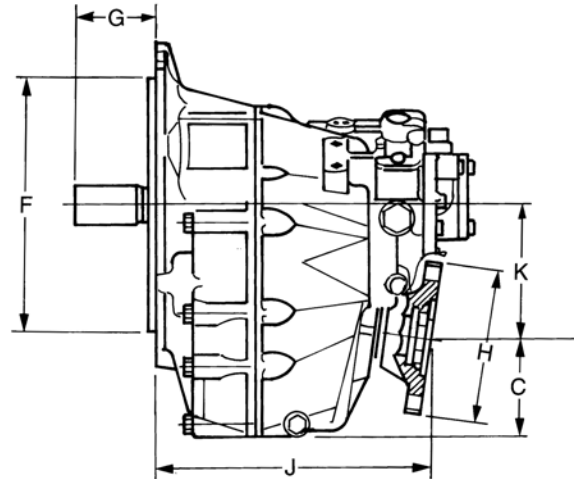
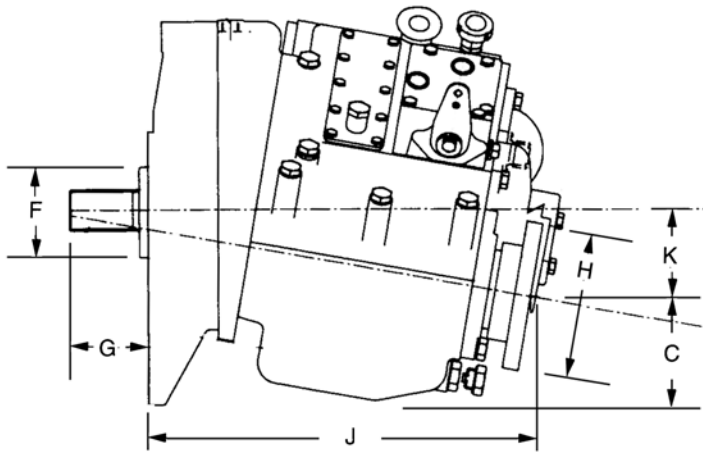


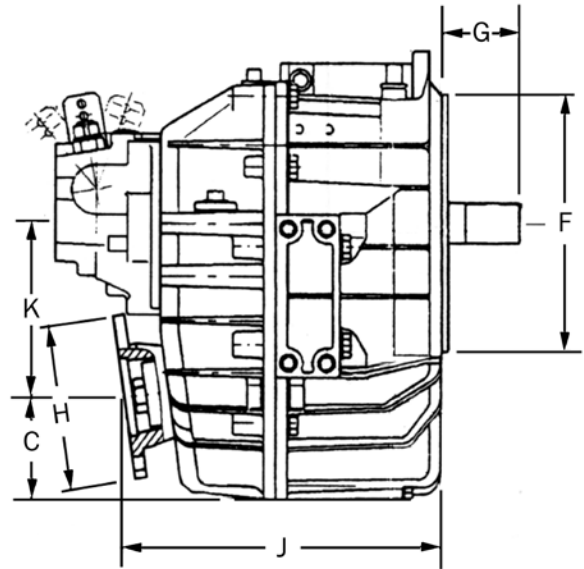
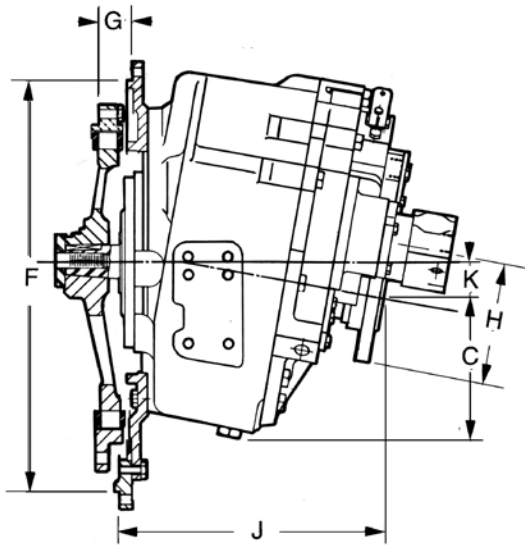
Angle-drive hydraulic engagement gearboxes



Make		PRM		TECHNODRIVE		
Model		750A	1000A	TM345A	93A	265A ①
REDUCTION RATIOS :1		1.09 1.46 (1.94) (2.57) [2.90]	1.53 (2.03) [2.86]	(1.54) 2.00 [2.47]	(1.51) 2.09 [2.40]	(1.44) 2.09 [2.30]
ANGLE		8°	10°	8°	8°	7°
Weight	W Kgs	90	118	25	51	165
Length	J mm	400	381	224	245	406
Drop	K mm	76	86	111	125	176
Depth	C mm	75	75	83	110	159
Spigot	F mm	63.5	88.5	209	120	SAE1,2,3
Shaft	G mm	89	76	66	78	SAE11½, 14
Flange	H ins	5 ¾	5 ¾	5	5	5¾TD
Max Diesel HP/100*		9.6(9.5)[8.0]	12.9(12.6)[11.5]	(4.8)3.8[2.9]	(6.6)5.5[4.8]	(14.9)13.8[12.5]
Max RPM		4500	3500	4500	4500	3000
Cooler size (min)		3	4	1HP	2HP	3HP
Lubricant		Engine Oil		SAE20/40 Engine Oil		
Notes and options * Pleasure boat rating		Aftermarket trolling valves and electric shifts, PTO Mountings, SAE,B, 13 spline Get you home device as standard All gearboxes may be ordered for non-standard input rotation Made in England		Trolling valves ① P.T.O., SAE,B Made in European Community		

Installation parts available include:- Flywheel housings and adaptors, flywheel drive plates, oil coolers, shift cable connection kits, flexible couplings, shaft half couplings, C.V shafts and thrust bearings

All gearboxes may be operated with single lever remote controls, and will accept



VELVET		ZF (PREVIOUS HURTH HSW TYPES)					
5000/6000	25A(250A)	45A(450A)	63A(630A)	85A(800A)	220A	280-1A	286A
1.0, 1.25	1.55	1.26	1.22	1.57	1.23	1.12	1.20, 1.48
1.50	1.93	1.51	1.56	1.75	1.53	1.48	1.75, 1.92
2.0	(2.29)	2.03	2.04	1.96	1.75	1.77	(2.20)
2.45	(2.48)	(2.43)	(2.52)	(2.50)	2.04	2.00, 2.27	(2.39)
(2.80)	(2.71)		(2.70)		(2.45)	2.45	[2.50]
8°	8°	8°	8°	8°	10°	7°	7°
49	24	28	44	69	50	73	77
228	216	228	265	291	246	280	300
151	115	126	144	160	145	147	149
97	75	79	82	112	116	114	126
209	92	209	209	209	111FEM	111FEM	111FEM
65	83	65	65	71	93	71	55
5	4	5	5	5 ¾TD	4 ¾TD	5 ¾TD	5 ¾TD
9.5/11.4(8.6)	4.4(3.4)	6.3(5.9)	9.6(8.4)	14.9	12.5(11.5)	18.8(16.2)	23.0(20.2)[18.5]
5000	5500	5500	5500	4500	4500	3600	3600
2	1	2	2	3	3HP	4HP	4HP
ATF	ATF Dextron				SAE30 Engine Oil		
V-Drive version available	Electric shift controls V-Drive versions (not 25A)		PTO mountings Trolling valves				
Made in USA	Made in European Community						

Installation parts available include:- Flywheel housings and adaptors, flywheel drive plates, oil coolers, shift cable connection kits, flexible couplings, shaft half couplings, C.V shafts and thrust bearings

propeller shaft thrust. Always fit a flexible coupling