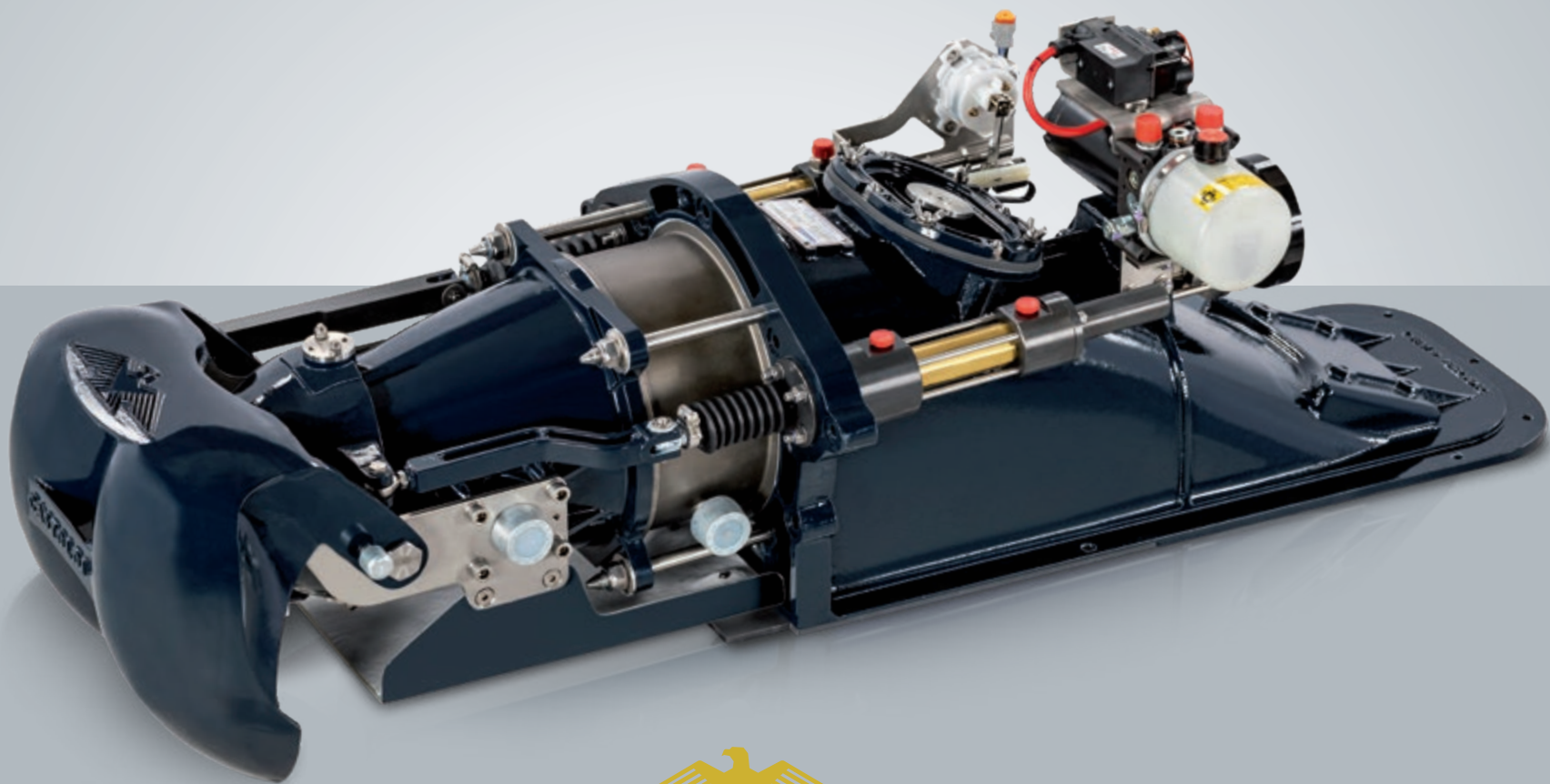


NEW

ADVANCED WATERJET DRIVE

TURBODRIVE 224 D.D.



CASTOLDI

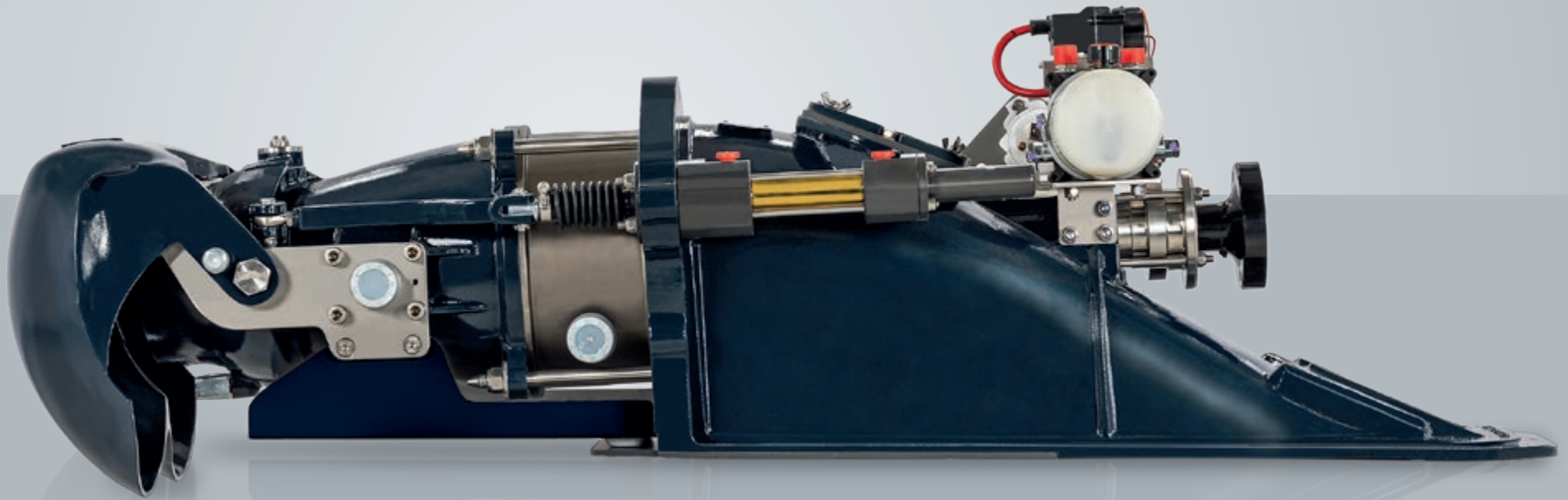
Since 1962
Forerunners, always

Turbodrive 224 D.D. is the only model of the range not equipped with the integrated gearbox but directly matched to the engine through the impeller, presently designed to match engines with 110 mHP @ 3.200 rpm or others with power and rpm lying on the same cubic curve. Other impellers are available on demand.

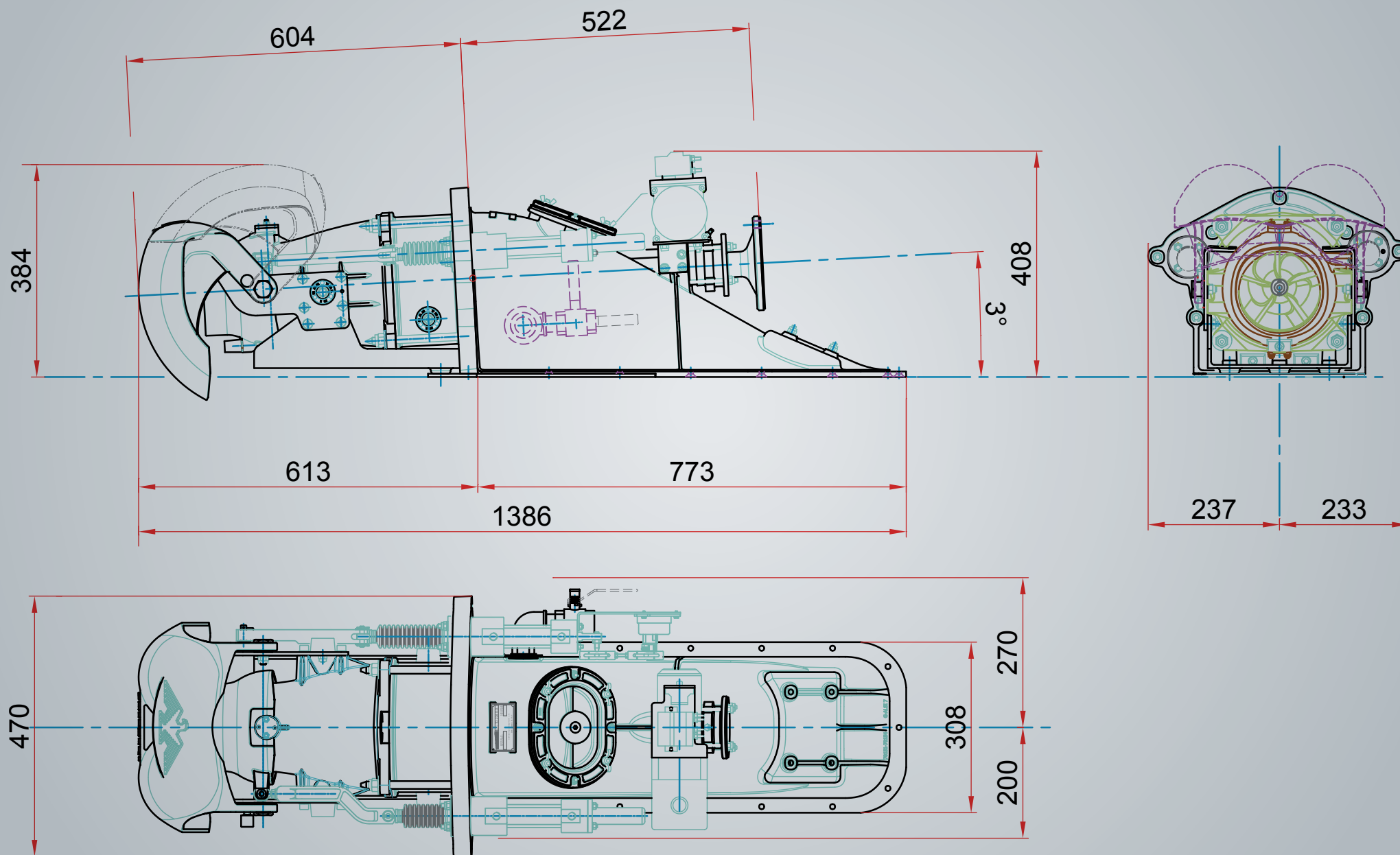
The main parts of **Turbodrive 224 D.D.** are made in aluminum alloy except the impeller housing and the impeller which are made in stainless steel. The result is a simple, tough and light waterjet granting an astonishing thrust despite its compact dimensions.

#Thrust #Compactness #Lightness #Durability

TURBODRIVE 224 D.D.



Dimensions



TURBODRIVE 224 D.D.

Impeller: AISI 316

Impeller housing: AISI 316 stainless steel

Impeller shaft: Aquamet 17 stainless steel

Stator: G Al Si 7 aluminum alloy

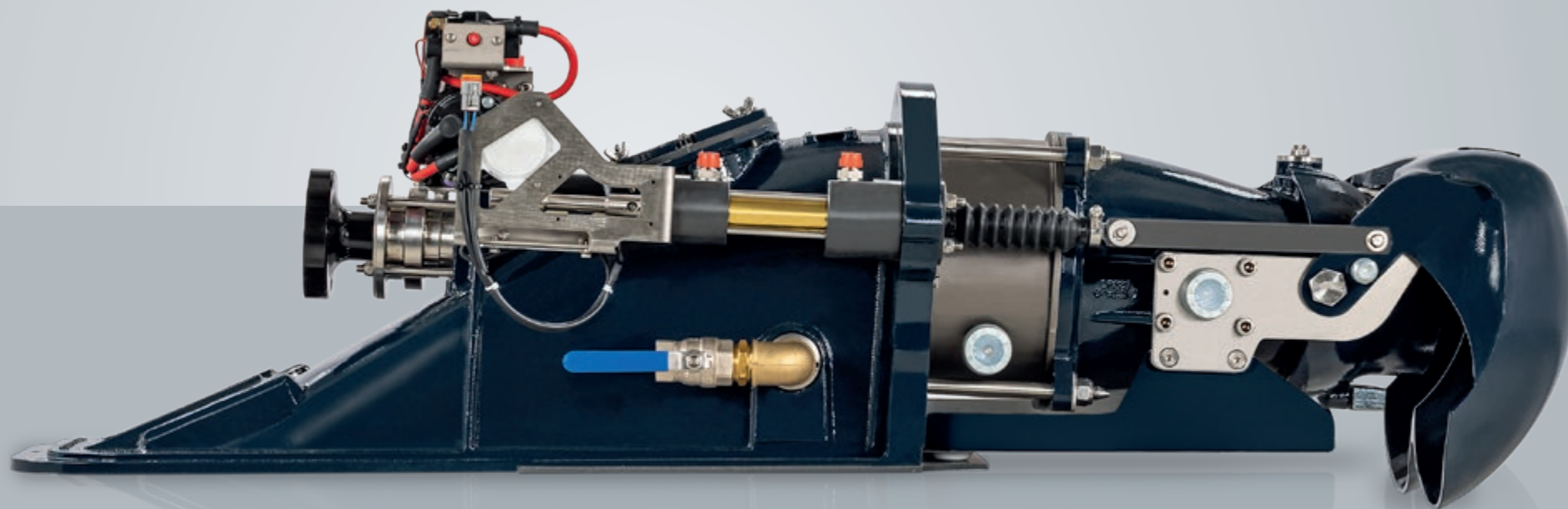
Steering nozzle and reversing bucket: G Al Si 7 aluminum alloy

Steering shaft: AISI 316 stainless steel

Reversing shaft: AISI 316 stainless steel

Waterjet body: Aluminum

Debris screen grid: UNI EN AW6082 aluminum alloy



Technical specifications

Impeller: N. 4 blades, single stage, axial flow suitable for 110 mHP @ 3.200 rpm engines or others with power and rpm lying on the same cubic curve. Other impellers are available on demand.

Impeller diameter: 224 mm at the inlet

Stator: N. 5 blades

Input flange: Suit up to 170 mm diameter drive shaft flange

Max power input: 147 kW (200 mHP)

Impeller connecting system: Directly driven

Transom angle: 93°

Drive shaft rotation: Clockwise looking at the input driveshaft flange

Hydraulic actuators: All inboard, waterjet mounted

Water pick-up for engine cooling: 1" (33,3 mm) GAS

Unit dry weight: 61,7 kg including all the components and hydraulics.

Electric oil pump (separated): 11 kg

Entrained water volume: 30 lt

B.P.R.: Additional water intake for take-off improvement

Water intake protection: Fixed debris screen grid

Reversing system: Castoldi compact reversing bucket

Steering system: Castoldi steering nozzle

Full protection against marine corrosion: The whole unit is protected by a hard anodizing treatment, plating all light-alloy components with 60 microns thickness of aluminum oxide (ceramic), three layers of special paint and cathodic protection by sacrificial anodes



CASTOLDI

Since 1962
Forerunners, always

Castoldi S.r.L.

Strada Provinciale 114 n. 10 · 20080 Albairate (Milan) · ITALY

Tel : +39 02 9401881 · Fax : +39 02 94018850 · info@castoldijet.it

www.castoldijet.it



castoldijet